

The New JVC DLA-X9
THX Certified 3D Enabled 3-Chip Full HD D-ILA Front Projector



DLA-X9 Key Features

The world's first projector to pass THX 3D Display Certification is also ISF certified and features an astonishing 100,000:1 Native Contrast Ratio, three 1920 x 1080 D-ILA devices, 2x motorized zoom lens with motorized focus, HQV Reon-VX video processor, on-screen gamma control, flexible set-up and more

Specifications

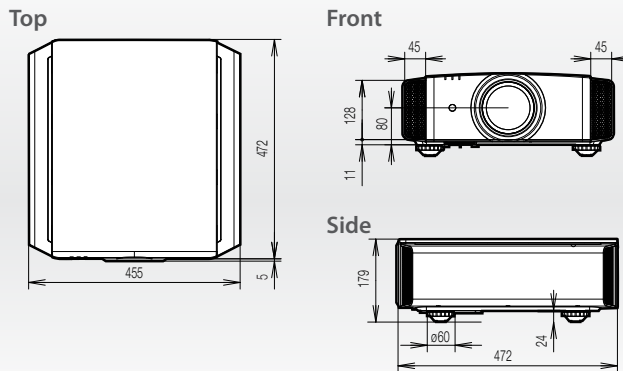
- :: Astonishing 100,000:1 Native Contrast Ratio
- :: 3D Enabled with 3-chip 0.7-inch 1920x1080 D-ILA devices
- :: Supports Frame Sequential 3D, side-by-side 3D and top-bottom 3D methods
- :: Exclusive Real Color Imaging Technology with Xenon Lamp Color Presets
- :: 7-axis Color Management System (R,G,B,C,M,Y and Orange)
- :: 3D THX Certified and ISF Certified
- :: Active Shutter Glasses (PK-AG1BP) Included
- :: 3D Emitter (PK-EMP1) Included
- :: 1,300 Lumens
- :: 99 Custom Screen Adjustment Presets
- :: Upgraded 24p capable 120Hz Clear Motion Drive
- :: 3rd Generation Optical Engine w/Improved Wire Grid Polarizer
- :: Customized Gamma Control On-screen
- :: Adobe RGB Color Profile
- :: 3 Year Warranty
- :: Wide Lens Shift Functionality (V: 80%, H: 34%)
- :: High-performance 2x Motorized Zoom Lens
- :: 1.4:1 to 2.8:1 Lens Throw
- :: User Friendly Image adjustment menu
- :: No Special Screen Required for 3D Playback

Notes:
 • Specifications are subject to change without notice.
 • HDMI, the HDMI Logo, and High-Definition Multimedia Interface are trademarks or registered trademarks of HDMI Licensing LLC in the United States and other countries.

Inputs

- :: Dual HDMI 1.4a Digital Inputs
- :: HD Component Video Input
- :: LAN Connection
- :: RS-232C
- :: Composite Video Input & S-Video Input
- :: 12-volt trigger
- :: D-sub 15-pin PC Input

Weights & Measurements



Weight: 32.41 lbs. / 14.7 kg.