



**MITSUBISHI
ELECTRIC**

MITSUBISHI HOME THEATER PROJECTOR

Changes for the Better



Finally... Vivid big-screen impact in well-lit venues



FULL HD 1080

HDMI
HIGH DEFINITION MULTIMEDIA INTERFACE

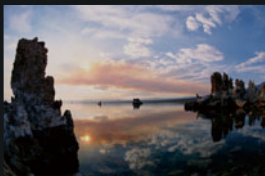


HOME THEATER PROJECTOR

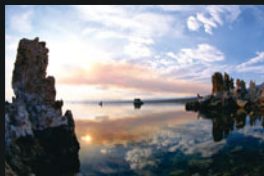
NEW HC3900

3000lm brightness, 2000:1 native contrast [ANSI Contrast 500:1]

A fixed iris is adopted, realizing both enhanced brightness and contrast for images. Even in a relatively bright living room with the curtains closed, movies, sports and other programs from high-definition broadcasting and Blu-ray sources can be fully enjoyed in high-definition images.



1000lm

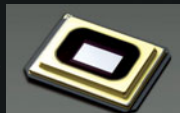


3000lm

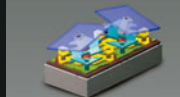
Note:
Photos are
brightness
impressions

The latest 0.65 DLP™ chip

A key feature of the HC3900 is the latest Digital Light Processing (DLP™) chip incorporating a new digital micromirror device (DMD) comprised of densely embedded micromirrors. A smaller mirror cavity diameter and narrower gaps between the mirrors improve the aperture ratio of the innovative chip, and reflective light diffusion has been greatly reduced by improving the wiring below the mirror section. The mirrors are controlled to tilt repeatedly several thousand times per second, enabling smooth, true reproduction of the digital source into finely detailed images with no noise or deterioration.



Digital Micro-Mirror Device



DMD Pixel Composition Map

1.5x Short-throw HD Zoom Lens

A newly developed short-throw zoom lens has been adopted. The 4-cluster, 13-piece all-glass lens provides excellent focusing performance with 1.5x magnification of high-definition images. Improvements in image depth and the lens aperture make it possible for deep blacks to be expressed.



Color Management for Preferred Color Adjustment

Adjust images to your color preferences. R (red), G (green), B (blue), C (cyan), M (magenta), and Y (yellow) can each be adjusted individually with the built-in color management function.



Before adjustment



After adjustment

Note:
Photos are
color adjustment
impressions

NEW



Illuminated remote control unit



HC3900

HOME THEATER PROJECTOR

Other Features

- Long-life Lamp of 5,000hours*1
- Low noise operation at 25dBA (in low mode)
- DDP3021 Full 10-bit Panel Driver
- Blu-ray 24P direct output compatible
- Richer, More True-to-life Colors (at the color temperature of D65)
- Anamorphic Lens Compatibility – Choose Setting Based on Media Played
- BrilliantColor™*2 (5segment color wheel) Adopted
- Adjustable Overscan
- One-touch projection – Trigger terminal
- Vertical Distortion Correction

*1: When used in low lamp mode. Maximum lamp life in standard mode use is 3,000 hours. Lamp life refers to the average time required for brightness to be reduced by half, and not the time specified in the warranty. Lamp service life may vary widely depending on the environment and conditions, and whether or not cleaning and other maintenance procedures are followed.

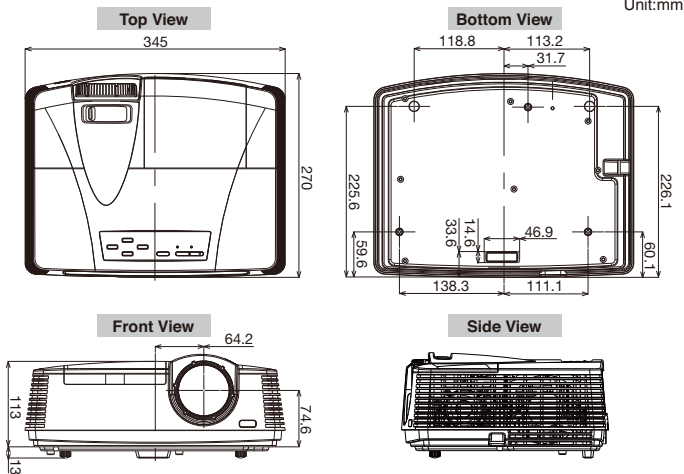
*2: BrilliantColor is a trademark of Texas Instruments.

Input and Output Terminals



- 1 Serial RS-232C
- 2 Trigger
- 3 S-Video/Video
- 4 Component video input
- 5 PC/Component video input
- 6 HDMI

Dimensions

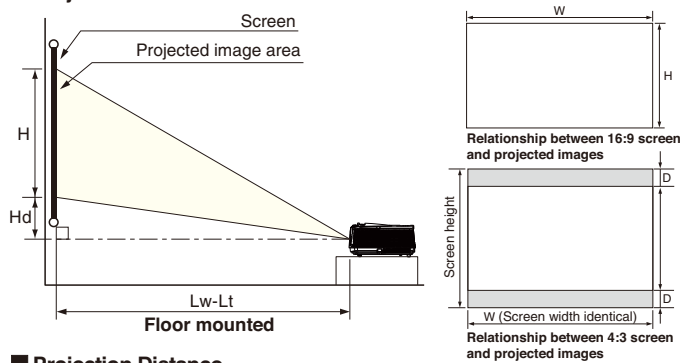


Specifications

Model		HC3900		
Projection system		DLP™ system		
Panel specs	Panel size	0.65 DMD, Aspect ratio 16:9		
	Number of pixels	1920x1080		
	Drive system	DMD reflection system		
	Array	Stripe pattern		
Optical specs	Lens	Zoom / focus operation	1.5 zoom / manual operation	
		f (mm)	20.6-30.1	
	Light source lamp	230W (at Standard Mode), 190W (at Low Mode)		
	Optical system	Time-division color separation / composition system		
Color wheel		5 segment (RGBWY) x2		
Projection screen size (inches)		50-300		
Images	Brightness (lm)		3000	
	Contrast ratio		2000:1	
	ANSI Contrast ratio		500:1	
	Resolution	PC input	VGA 640x480 - 1600x1200	
	Scan frequency	Horizontal (kHz)	15-80	
Vertical (Hz)		50-85		
Input signal system	Video	NTSC, NTSC4.43, PAL (including PAL-M and N), SECAM, PAL-60 Video input: 480i/p, 576i/p, 1080i 60/50, 1080p 60/50/24, 720p		
	PC	PC/AT compatibles, Mac		
Input	Video	PC input	Mini D-Sub 15 pin	1 terminal
		HDMI input	HDMI terminal	1 terminal (Ver.1.3)
		Composites	RCA terminal	1 terminal
		S	S-Video terminal	1 terminal
		Components	RCA terminal	1 terminal (component can be also input to Mini D-Sub 15 pin)
		Serial / RS-232C standard	1 terminal (Mini DIN 8 pin)	
Functions	Gamma mode		AUTO/SPORTS/VIDEO/CINEMA/USER1/USER2	
	Digital keystone (Vertical)		±15 steps	
	Power source voltage		AC100-240V 50/60Hz	
	Power consumption (W)		330 (at waiting 0.5W)	
	Weight (kg / lbs)		3.6 / 7.9	
	Main unit dimensions (WxDxH)		345x129x270mm / 13.6"x5.1x10.6" (excluding height adjustment)	
Other	Supplied accessories		Power source cord (1.8m), Remote control, AA batteries (x2), RGB signal cable, Lens cap, Lamp replacement attachment	
Option lamp		VLT-HC3800LP		

*All brand and product names are trademarks or registered trademarks of their respective companies.

Projection Installation



Projection Distance

Screen size (16:9)			Hd	Projection distance	
Diagonal	W (width)	H (height)		Shortest (Wide)	Longest (Tele)
inch	cm	cm	cm	m	m
50	111	62	21	1.5	2.3
60	133	75	25	1.8	2.7
70	155	87	29	2.1	3.2
80	177	100	34	2.4	3.6
90	199	112	38	2.7	4.1
100	221	125	42	3.1	4.6
110	244	137	46	3.4	5.0
120	266	149	50	3.7	5.5
150	332	187	63	4.6	6.9
200	443	249	84	6.2	9.2
250	553	311	105	7.7	11.5
300	664	374	126	9.3	-

MITSUBISHI ELECTRIC CORPORATION
 KYOTO WORKS : 1 ZUSHO BABA, NAGAOKAKYO-CITY, KYOTO 617-8550, JAPAN

To find out more about HC3900 and our projectors, visit us at

Global.MitsubishiElectric.com/projectors/